

LDB

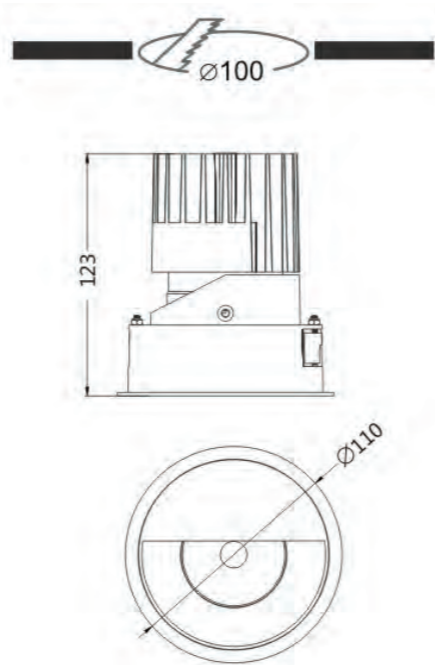


LDB 4
Trim + body: Die-cast aluminium
Housing: 1.2mm matt black paint
Optic: High efficient reflector



LDB 4A
Trim + body: Die-cast aluminium
Housing: 1.2mm matt black paint
Optic: High efficient reflector

Wall-washer



Productcode

type	Beam Angle	lumen*		CRI		kelvin		frame color		driver	
LDB 4											
	12°	12	1400 14	80	8	2700	27	white	01	standard	00
	24°	24	1800 18	90	9	3000	30	black	02	trailing edge	01
	40°	40	2200 22			4000	40	grey	03	1-10V	02
	60°	60	2500 25							dali	03
			3000 30								

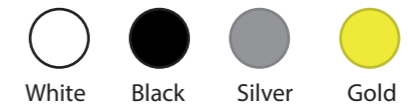
use the **red** suffix to make your productcode

*minimum lumen output, lumen output depends of the color temperature.



Trimless frame

Cone color



Productcode

type	Beam Angle	lumen*		CRI		kelvin		frame color		driver	
LDB 4A											
	12°	12	1400 14	80	8	2700	27	white	01	standard	00
	24°	24	1800 18	90	9	3000	30	black	02	trailing edge	01
	40°	40	2200 22			4000	40	grey	03	1-10V	02
	60°	60	2500 25							dali	03
			3000 30								

use the **red** suffix to make your productcode

*minimum lumen output, lumen output depends of the color temperature.