

## LEDD 44

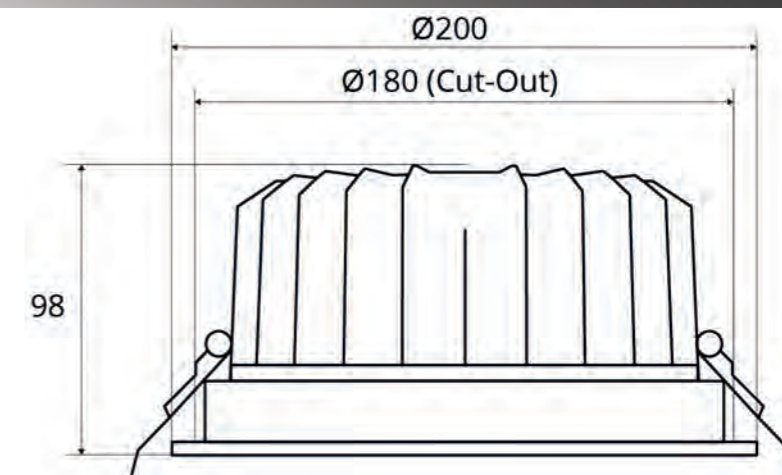
The LEDD 400 downlighters are recessed fittings with an aluminium die-cast body and aluminium 50° reflector. The reflector has a shaped pattern for a controlled lighting output. The white trim has a conical deepened smooth shape. The LED COB is protected by a PMMA lens.

### Features

- Samsung high efficacy LED COB
- Service Life LM80-B10
- CRI>80
- Power factor: >0,9
- MacAdam: 3 step - ANSI C78.377A
- Including flicker free driver

### Options

- CRI>90
- Trim color in white, black or satin grey (RAL color on request)
- Color temperature in 2700K, 3000K, 4000K
- Dimmable driver
- Emergency kit for 1 or 3 hour(s) duration



### Productcode

type	typenr	lumen*		CRI		kelvin		color		driver	
LEDD	44										
		1400	14	>80	8	2700	27	white	01	standard	00
		1800	18	>90	9	3000	30	black	02	trailing edge	01
		2200	22			4000	40	grey	03	1-10V	02
		2500	25							dali	03
		3000	30								
		3500	35								
		4000	40								
		5000	50								
		6000	60								

use the **red** suffix to make your productcode

\*minimum lumen output, lumen output depends of the color temperature.

