

LEDD 43

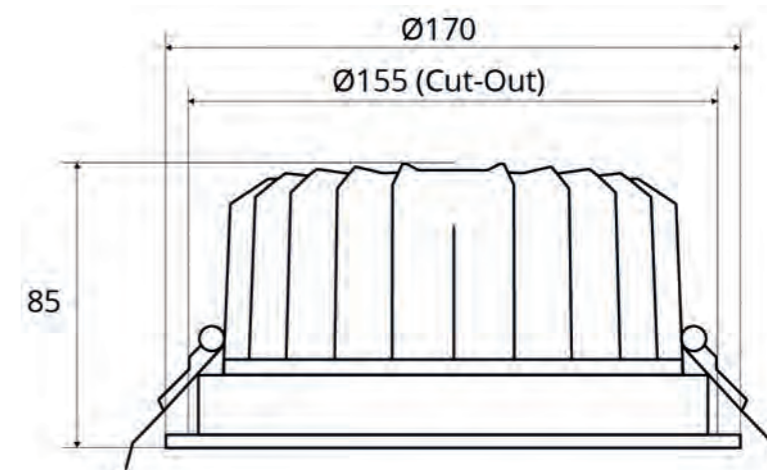
The LEDD 400 downlighters are recessed fittings with an aluminium die-cast body and aluminium 50° reflector. The reflector has a shaped pattern for a controlled lighting output. The white trim has a conical deepened smooth shape. The LED COB is protected by a PMMA lens.

Features

- Samsung high efficacy LED COB
- Service Life LM80-B10
- CRI > 80
- Power factor: > 0,9
- MacAdam: 3 step - ANSI C78.377A
- Including flicker free driver

Options

- CRI > 90
- Trim color in white, black or satin grey (RAL color on request)
- Color temperature in 2700K, 3000K, 4000K
- Dimmable driver
- Emergency kit for 1 or 3 hour(s) duration



Productcode

type	typenr	lumen*	CRI	kelvin	color	driver
LEDD	43	<input type="text"/>	<input type="text"/>	<input type="text"/>	<input type="text"/>	<input type="text"/>
		800 08	>80 8	2700 27	white 01	standard 00
		1000 10	>90 9	3000 30	black 02	trailing edge 01
		1400 14		4000 40	grey 03	1-10V 02
		1800 18				dali 03
		2200 22				
		2500 25				

use the **red** suffix to make your productcode

*minimum lumen output, lumen output depends of the color temperature.

