

LEDD 41

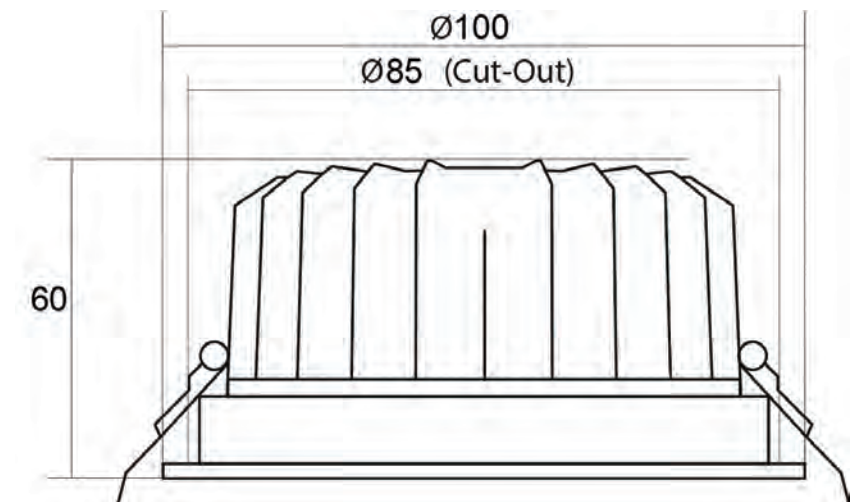
The LEDD 400 downlighters are recessed fittings with an aluminium die-cast body and aluminium 50° reflector. The reflector has a shaped pattern for a controlled lighting output. The white trim has a conical deepened smooth shape. The LED COB is protected by a PMMA lens.

Features

- Samsung high efficacy LED COB
- Service Life LM80-B10
- CRI>80
- Power factor: >0,9
- MacAdam: 3 step - ANSI C78.377A
- Including flicker free driver

Options

- CRI>90
- Trim color in white, black or satin grey (RAL color on request)
- Color temperature in 2700K, 3000K, 4000K
- Dimmable driver
- Emergency kit for 1 or 3 hour(s) duration



Productcode

| type | typenr | lumen* | CRI | kelvin | color | driver |
|------|--------|----------------------|----------------------|----------------------|----------------------|----------------------|
| LEDD | 41 | <input type="text"/> | <input type="text"/> | <input type="text"/> | <input type="text"/> | <input type="text"/> |
| | | 800 08 | >80 8 | 2700 27 | white 01 | standard 00 |
| | | 1000 10 | >90 9 | 3000 30 | black 02 | trailing edge 01 |
| | | | | 4000 40 | grey 03 | 1-10V 02 |
| | | | | | | dali 03 |

use the **red** suffix to make your productcode

*minimum lumen output, lumen output depends of the color temperature.

